

# 8000 Retracting Sledge Microtome Specification



 **MADE IN BRITAIN**

**Bright**  
Instruments



## Introduction

The Bright 8000 retracting base sledge microtome offers the ultimate in versatility combined with strength, accuracy, reliability and, not least, safety.

Designed to fully meet the needs of the routine histology laboratory, the 8000 will also meet the more demanding requirements of the specialised unit where its versatility and wide range of accessories will guarantee that it becomes the first choice of the professional base sledge user.

It is well suited to cutting a wide range of materials including decalcified bone, plastics, resins and wood as well as large area soft tissues. It is the first of its kind to incorporate retraction on the return stroke. This feature helps to avoid possible damage to specimens. The 8000 has a wide range of stages available in a host of sizes. The Bright Solid State Freezer can be used in conjunction with the 8000, (see ordering information), on occasions where it is necessary to freeze specimens while in a laboratory environment.

## Features and Benefits

- Easy to use base sledge retracting microtome complete with standard vice
- Sturdy cast iron construction
- 40µm retraction on the return stroke prevents possible specimen damage
- Angled and slewable knife holder for greater versatility
- Accepts a range of knives and disposable blades
- A wide range of quick release holders available
- Safety features include knife guards and low positioned operating handle
- Orientation available - using a  $\pm 8^\circ$  tilt adapter
- Range of stages available
- Standard accessories include: - knife cleaning brush, set of four Allen keys, microtome oil, operating manual

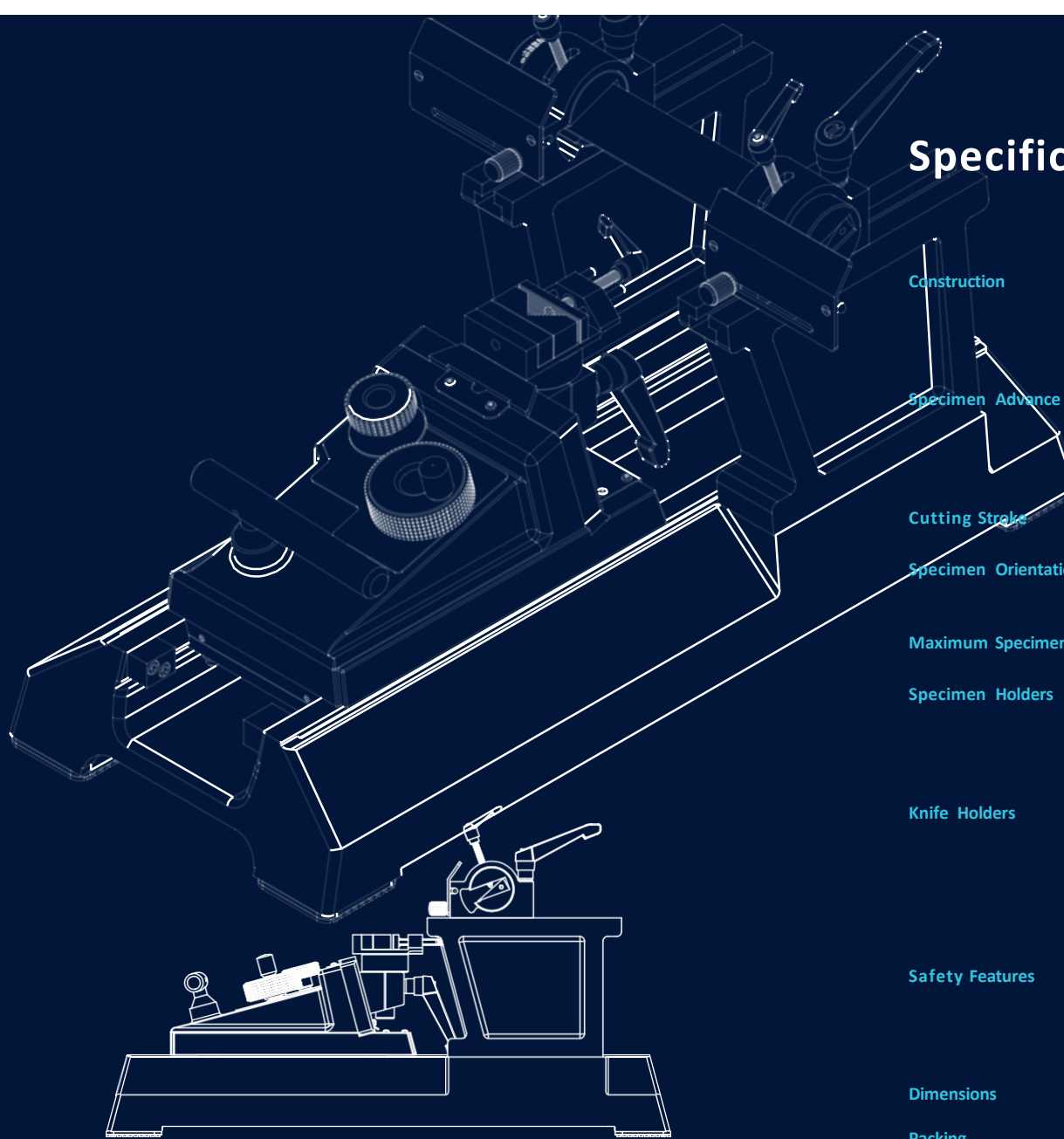
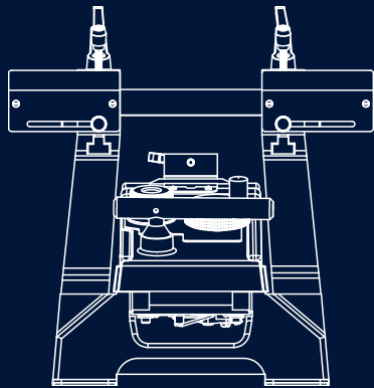
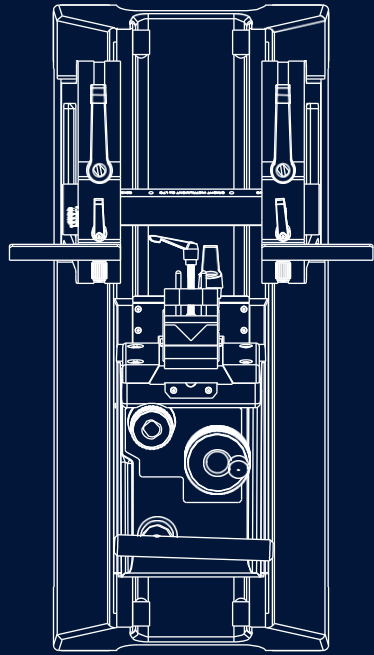


## The Microtome

Design of the knife support pillars is such that they may be reversed to provide greater clearance for large blocks. In their normal position blocks up to 110mm wide may be accommodated but when reversed the block width may be increased to 170mm. Substantial knife clamps provide considerable knife rigidity with the dual facility of both angle tilt and slew, and spacers are available to raise the height of the knife. If required, a single side double clamp knife holder is available as an optional extra.

Full width knife guards are supplied providing increased protection to the operator over the entire knife length - not just at its ends. Cast in mechanite and precision machined, the base is finished with a durable solvent and detergent resistant coating. The sledge

is inserted with PTFE to provide an extremely low friction contact. Specimen advance and retraction is achieved by the simple action of pushing and pulling the sledge forward and back using the operating handle. Such is the unique design of the handle the mere action of pushing and pulling automatically advances and retracts the specimen. The degree of advance can be set in the range 0-40 $\mu$ m in 1 $\mu$ m increments.



# Specification

**Construction**

Cast mechanite, precision machined and finished with durable solvent and detergent proof coating

**Specimen Advance**

0 - 40µm in 1µm increments, retraction operates on return stroke. Manual gross advance/rewind facility

**Cutting Stroke**

270mm

**Specimen Orientation**

±8° horizontal and vertical (optional)

**Maximum Specimen**

Size 250mm x 210mm

**Specimen Holders**

Specimen vice or quick release holder for cassettes, supercassettes and hardboard squares.

**Knife Holders**

Support arms reversible with slew facility. Angle tilt with indicator scale and full width knife guards. Single side double clamp facility is available as an optional feature

**Safety Features**

Handle designed to ensure maximum distance away from knife edge. Knife guards cover full width of knife

**Dimensions**

H325 x W260 x D610mm

**Packing**

Net weight: 40kg  
 Gross weight: 50kg  
 Packing dimensions:  
 H400 x W920 x D550mm  
 Shipping volume: 0.202m<sup>3</sup>

Weights vary according to specification of instrument

# 8000 Retracting Sledge Microtome

## Order List 2025

PRODUCT	
Code	Description
8000-01	<p><b>8000 Retracting base sledge microtome (with standard blade)</b></p> <p>Complete with:</p> <ul style="list-style-type: none"> <li>• 1 - 40µm feed screw with 1µm increments.</li> <li>• Manual gross advance/rewind facility.</li> <li>• Angled, tilted knife holder with indicator scale.</li> <li>• Full width integral knife guards.</li> <li>• Automatic retraction of approx. 50µm on return stroke.</li> <li>• Standard vice.</li> <li>• Fixed adaptor.</li> </ul> <p>Standard accessories include:</p> <ul style="list-style-type: none"> <li>• Knife cleaning brush</li> <li>• Set of Allen keys</li> <li>• Standard Knife</li> <li>• Microtome oil</li> <li>• Operating manual</li> </ul>
OPTIONAL FEATURES	
Code	Description
SOLID STATE FREEZER WITH PELTIER DEVICE	
53024-01	<p><b>Solid State Freezer for 220/240V AC, 50/60Hz</b></p> <p>Complete with:</p> <ul style="list-style-type: none"> <li>• 40 x 40mm stage.</li> <li>• Freezing to -25°C</li> <li>• Temperature control is by current limit to Peltier device.</li> <li>• Safety cut-out to detect low water pressure.</li> </ul> <p>Standard accessories include:</p> <ul style="list-style-type: none"> <li>• Cryo-M-Bed embedding compound.</li> <li>• Cooling block removal tool.</li> <li>• Allen Key.</li> <li>• Spare set of fuses.</li> <li>• Operating manual.</li> </ul>
53024-02	<p><b>Solid State Freezer for 110/115V AC, 50/60Hz</b> Same features &amp; accessories as 53024-01</p>
200-012	<b>Solid State Filters</b>
244-001	<p><b>Cooling Water Re-circulator (for Solid State Freezer (240v 50/60Hz only).</b> Removes the reliance on close proximity to a sink and water supply while preventing water loss and is subsequently environmentally friendly.</p>
51460-1	<b>Knife raising block, one pair.</b> (Note: Item required if ordering Sledge with Solid State Freezer).

OPTIONAL FEATURES	
Code	Description
50533	Quick release wax cassette holder, with out orientation.
318	A simple to use holder for wax cassettes. Accepts standard size wax cassettes (26x31x5mm). Can be specified instead of standard vice at no extra charge.
54147	Sledge quick release supercassette holder for holding wax supercassettes (75x52x19mm).
51637	Quick release holder for hardboard squares.
51407	Single side double clamp knife holder.
51473	Orientating tilt adapter +/-8° angle.
50234	Tungsten carbide tipped knife with box, 228 x 38 x 6mm. Suitable for bone sections. NB: Needs to be resharpened at our factory.
50235	Steel knife with box, C-profile, 240 x 33 x 13mm. 22° angle, tapped to accept holder for Shandon knife sharpener.
57675	Holder for feather blades with box. 240mm, complete with pack of 50 disposable Feather blades.
50241	Pack of 50 Low profile disposable feather blade. With built in used blade container.
51719	Object holder, 73 x 54mm.
51720	Object holder, 100 x 66mm.
51836	Object holder, 130 x 90mm.
51717	Object holder, 250 x 110mm.
53581	Bright Cryo-M-Bed 120ml bottle carton of 6.
57713	Bright Cryospray 134, 300ml aerosol cans x 12.
57344*	Knife cleaning brush.
57808	Anti-static brush, 12mm.

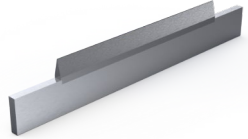


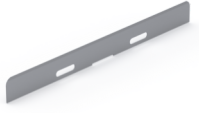
Office: Bright Instruments LTD  
Burnett House, Lakeview Court  
Ermine Business Park, Huntingdon  
Cambridgeshire, PE29 6UA

Telephone: +44 (0) 808 168 9697  
Web: [brightinstruments.com](http://brightinstruments.com)  
**MADE IN BRITAIN** 

\*Included in standard order | \*\*Not included in overseas orders. VAT not included - E & OE  
Valid from 1 January 2025

**Bright**  
Instruments

## Order list

PRODUCT				
Code	Description	Specification	For use with	
50234	A tungsten carbide tipped knife for cutting bone and other hard specimens. (22838TC).	Size (mm): 228 (w) x 38 (h) x 6 (d) 155 (edge) Angle: 24° Material: Tungsten Carbide/ Steel Profile: C (Wedge) Cutting Angle: 25° ± 2.5°	<ul style="list-style-type: none"> <li>• Bone</li> <li>• Plastics</li> </ul>	
50235	Standard steel knife for sledge microtomes. (B243313DRC).	Size (mm): 240 (w) x 36 (h) x 13 (d) Angle: 22° Material: Steel Profile: C (Wedge) Cutting Angle: 25°	<ul style="list-style-type: none"> <li>• Tissue</li> <li>• Bone</li> <li>• Muscle</li> <li>• Paraffin</li> <li>• Plastics</li> </ul>	
57675	Low profile disposable feather blade holder. Comes with 50 Feather blades. (Compatible with 50241)	Size (mm): 240 (w) x 37 (h) x 15.7 (d) Cutting Angle: 5°	See 50241	
50241	Low profile disposable feather blade. With built in used blade dispenser. (Pack of 50)	Size (mm): 80.01 (w) x 8.13 (h) x 0.3 (d) Material: Stainless Steel Cutting Angle: Varies between machines	<ul style="list-style-type: none"> <li>• Tissue</li> <li>• Bone</li> <li>• Muscle</li> <li>• Paraffin</li> </ul>	

Agent / Distributor info:

**Bright**  
Instruments

Burnett House  
Lakeview Court  
Ernie Business Park  
Huntingdon  
Cambridgeshire  
PE29 6UA

**+44 (0) 808 168 9697**  
**[brightinstruments.com](http://brightinstruments.com)**

Member of:  
**MADE IN BRITAIN** 